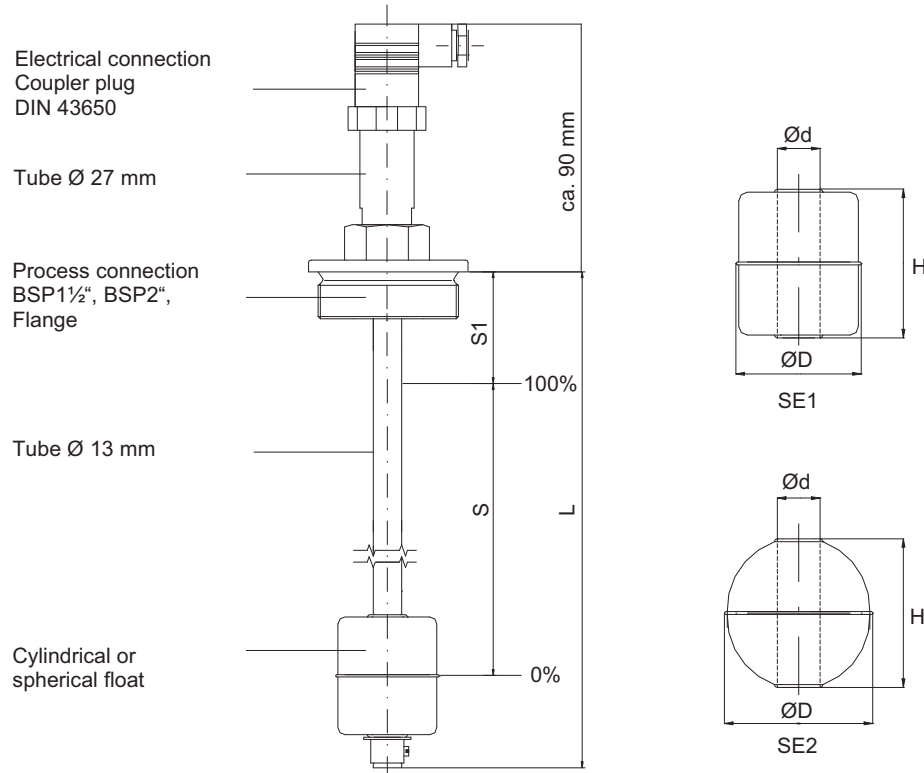


MG 03

Dimensions

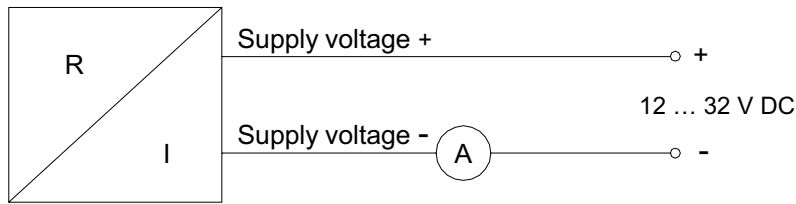


Float type	Dimensions			Max. operating pressure (MPa)	Max. operating temperature (°C)	Medium density kg/m ³	Material
	Ø D (mm)	Ø d (mm)	H (mm)				
SE1 Cylindrical float	44	15	52	1,6	80	≥ 750	1.4571
SE2 Spherical float	52	15	52	4,0	80	≥ 750	1.4571

Technical data

Supply voltage	12 – 32 V DC	Medium density	≥ 750 kg/m ³
Output	4 – 20mA or resistance signal proportional to level	Accuracy	12 mm
Temperature	-30°C to +80°C, > 80°C on request	Tube length L	Standard: up to 6000 mm, > 6000 mm on request
Electrical connection	Coupler plug DIN 43650, other types on request	Process connection	Standard: BSP1½", BSP2", Flange DN50 PN16, other types on request
Max. pressure	4.0 MPa		

Electrical connection



	Pin assignment
Supply voltage +	1
Supply voltage -	2

Product overview / Order table

MG 03

Electrical connection

- A Coupler plug, DIN 43650
- X Other types on request

Process connections (installation: vertical, $\pm 30^\circ$)

- A Fixing screw thread BSP1 $\frac{1}{2}$ ", 1.4571
- B Fixing screw thread BSP2", 1.4571
- C Flange DIN 2527, Form B, DN 50 PN 16, 1.4571
- X Other types on request

Tube length L (see dimensioned diagram)

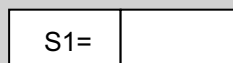
- Tube in 1.4571
- Tube length from sealing face of process connection
- Tube length $L \leq 6000$ mm; $L > 6000$ mm on request
- Dimensions in mm

Float types

- A SE1 (cylindrical float $\varnothing 44$ in 1.4571)
- B SE2 (spherical float $\varnothing 52$ in 1.4571)
- X Other types on request

Output

- Z With two-wire transducer, 4 - 20mA
- W Resistance signal



100 % marker S1 = distance from sealing face to centre of float

Order instruction: 100% marker S1 in mm