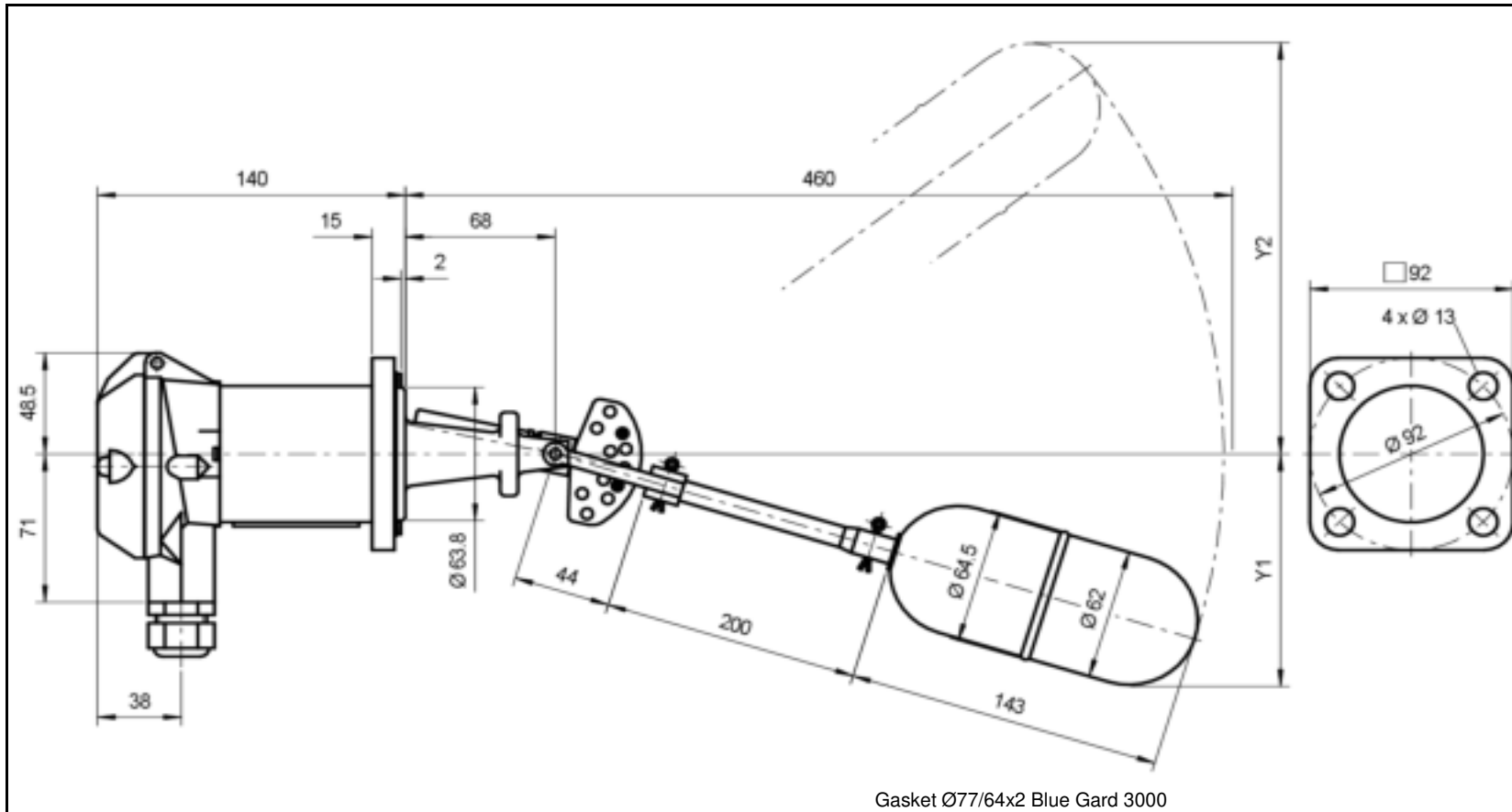


Trimod[®] Besta

Trimod Besta Füllstandscharter
Trimod Besta Level Switch
Trimod Besta Contrôleur de niveau



| | |
|---|--------------------------------------|
| Safety Integrity Level: SIL 1 (SIL 3 capable) | |
| Dimensionen / Dimensions mm | |
| Y1/Y2 | acc. to pegs in the adjustment block |
| | |
| Ship register certificate: ABS, BV, DNV·GL, LR, RINA, RS, ClassNK | |
| Überwurfflansch Slip-on flange -- Bride folle | |
| Schmelze / Heat no: | |
| Bachofen-Nr. / Bachofen no: | |
| Dichteinheit / Fixflansch Sealing unit / Fixed flange 1.4408 Unité d'étanchéité / Bride fixe | |
| Schmelze / Heat no: | |
| Bachofen-Nr. / Bachofen no: | |
| Schwimmer Float 1.4571 Flotteur | |
| Order no. | |
| Stk./ pcs./quant. | |
| Date/Visa 17.11.15 / SIA | |
| BACHOFEN INDUSTRIAL AUTOMATION | |
| Bachofen AG, Ackerstrasse 42 CH-8610 Uster/Switzerland Phone +41 44 944 11 11 Fax +41 44 944 12 33 info@trimodbesta.com www.trimodbesta.com 011015/TSI | |

| | | | | | | | |
|---|---------------------------------------|---|----------------------------------|--|-------------|--|--------------------------|
| Typ Type Type | A 01 092 (Art. no. A415614) | Schaltmodul Switch module Module de commande | A | Flanschmodul Flange module Module de bride | 01 | Schwimmermodul Float module Module de flotteur | 092 |
| Betriebstemperatur Operating temp. Temp. de service | 0 to 300°C | Gehäusematerial Housing material Matériau boîtier | Aluminium Sea water resistant | Nenn- / -weite Nom. Pressure / -Diameter Pression- / Section Nominal | PN 25 | Schaltdifferenz Operating diff. Différentiel | 83 to 442 mm |
| Umgebungstemp. Ambient temp. Temp. d'ambiance | 0 to 70°C | Kabeleinführung Cable entry Presse-étoupe | M20 x 1.5 | Norm Standard Norme | Besta | Dichte min. Density min. Densité min. | 0.750 kg/dm ³ |
| Schaltleistung Switch rating Pouvoir de coupure | 5A / 250VAC 5A / 30VDC | Schutzart Enclosure Cl. de protection | IP65 | Dichtungsart Flange Facing Type d'étanchéité | Raised face | Nenn- / Prüfdruck Nominal / Test press. Pression nominal / d'épreuve | PN 25 bar PP 38 bar |