

MG 08

Dimensions

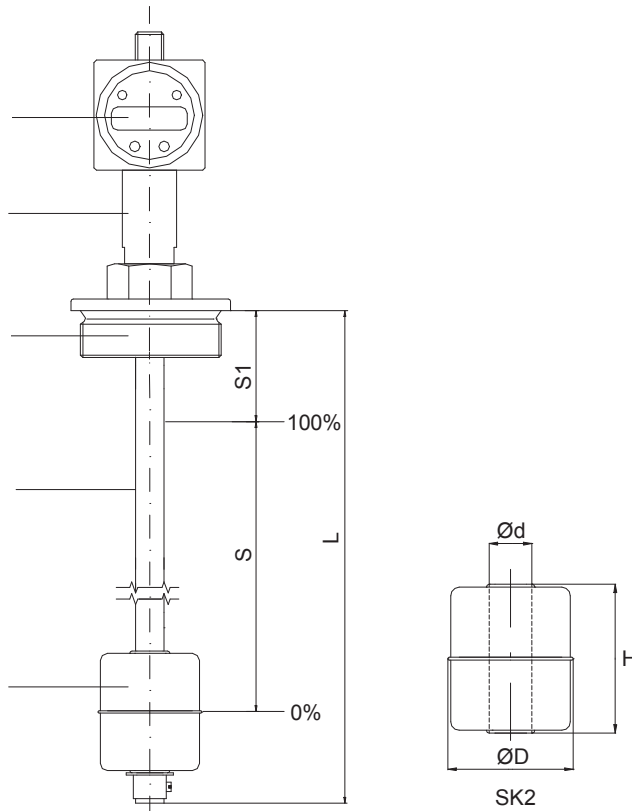
Display, rotatable

Tube Ø 27 mm

Process connection BSP 2"

Tube Ø 16 mm

Cylindrical float

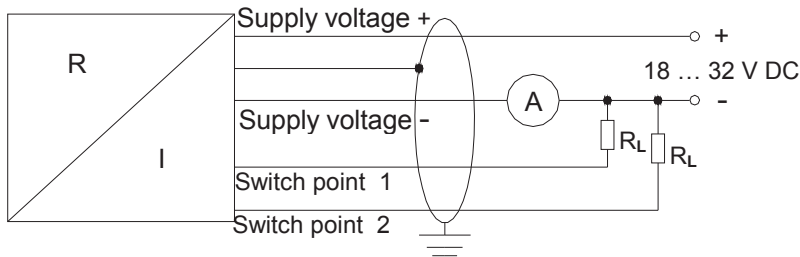


Float type	Dimensions			Max. operating pressure (MPa)	Max. operating temperature (°C)	Medium density kg/m ³	Material
	Ø D (mm)	Ø d (mm)	H (mm)				
SK2 Cylindrical float	55	18,5	55	0,3	80	≥ 500	PP

Technical data

Supply voltage	18 – 32 V DC	Tube length L	Standard: up to 1500 mm, > 1500 mm on request
Output	4 – 20mA and 2 limit values	Process connection	Standard: BSP 2“, other types on request
Display	Module with plug M12, Signal in percent or 4 – 20mA (selectable)	Material	PP, other materials e.g. PVDF on request
Max. pressure	0.3 MPa	Limit values	Position and switching function: selectable
Temperature	-30°C to +80°C		
Medium density	≥ 500 kg/m ³		
Accuracy	12 mm		

Electrical connection



	Pin assignment: Plug M12
Supply voltage +	1
Supply voltage -	3
Switch point 1	4
Switch point 2	5

Product overview / Order table

MG 08

Process connections (installation: vertical, ± 30°)

A Fixing screw thread BSP2", in PP

X Other types on request

Tube length L (see dimensioned diagram)

Tube in PP, Ø 16 mm

Tube length from sealing face of process connection

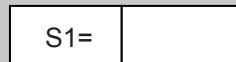
Tube length L ≤ 1500 mm; L > 1500 mm on request

Dimensions in mm

Float types

A SK2 (cylindrical float Ø 55 in PP)

X Other types on request



100 % marker S1 = distance from sealing face to centre of float

Order instruction: 100% marker S1 in mm