

Polysulfone Float



For water based liquids, with limited use in oils and chemicals

Buna N Float



Ideal for oils and fuels

Polypropylene Float (Solid)

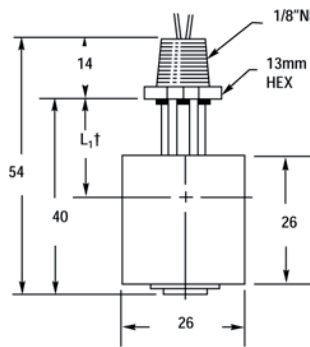


With Polypropylene stem and float, switch offers broad chemical compatibility

Polypropylene Float (Hollow)



Features a low specific gravity float offering broad chemical compatibility to satisfy a wide variety of applications



$L_1 \uparrow$ Switch actuation level, nominal (based on a liquid specific gravity of 1.0).
 Polysulfone Float: 3/4" (19.0mm)
 Polypropylene Float (Hollow): 13/16" (20.6 mm)
 Polypropylene Float (Solid): 9/16" (14.3 mm)
 Buna N Float: 13/16" (20.6mm)

Alternate Mountings		
3/8"-16 Straight Thread	G1/8" 1/8"-28 BSP	M12x1.5 Straight Thread

Specifications

	Polysulfone	Nylon/Buna N	Polypropylene	Polypropyl. (hollow)
Material stem:	Polysulfone	Nylon*	Polypropylene**	Polypropylene**
Material float:	Polysulfone	Buna N	Polypropylene	Polypropylene (hollow)
Operating pressure:	3 bar	10 bar	10 bar	3 bar
Temperature: Cable	-40°C...+80°C	-20°C...+80°C	-40°C...+65°C	-40°C...+80°C
Leads	-40°C...+107°C	-20°C...+121°C	-40°C...+65°C	-40°C...+107°C
Depth of immersion at a density of 1:	~15 mm	~9 mm	~19 mm	~13 mm
Min. specific gravity of the liquid:	0.75	0.45	0.90	0.60
Type of reed switch:	SPST 50 VA cable SPST 20 VA leads	SPST 50 VA (cable) SPST 20 VA (leads)	SPST 50 VA (cable) SPST 20 VA (leads)	SPST 50 VA (cable) SPST 20 VA (leads)
Electrical connection: (Length: appr. 0.6 m)	Cable: 0.34 mm ² PVC Fly lead: AWG 22 PVC	Cable: 0.34 mm ² PVC Fly lead: AWG 22 PVC	Cable: 0.34 mm ² PVC Fly lead: AWG 22 PVC	Cable: 0.34 mm ² PVC Fly lead: AWG 22 PVC
Mounting thread:	1/8" NPT	← 1/8" NPT, G1/8", M12x1.5, 3/8x16 →		
Protection rating :	IP64	IP64	IP64	IP64
Weight: approx	20 g	20 g	20 g	20 g

Order data	Order No.	Mounting	Order No.	Mounting	Order No.	Mounting	Order No.	Mounting
	Polysulfone		Nylon/Buna N		Polypropylene		Polypropylene (Hollow)	
Cable	010-2919	1/8 NPT	171512	G1/8	171515	G1/8	171518	G1/8
			171513	M12	171516	M12	171519	M12
Leads	42295	1/8 NPT	162745	1/8NPT	116826	1/8NPT	142505	1/8NPT
			171511	3/8UNC	171514	3/8UNC	171517	3/8UNC

* Not suitable for long term use in water. ** Not suitable for Hydrocarbons.

Unique features make these LS-3 Models special. These small switches feature unique configurations for special applications.



LS-3 Tripod

This switch was originally designed for an ice maker. Since only the float comes in contact with the media, there is no lime build-up on the switch or stem. This sensor is meant for high level alarm usage only.



LS-3 Slush Shield

Compact, all-polypropylene switch with slush shield is ideal for use with turbulent liquids in small tanks. FDA approved materials.



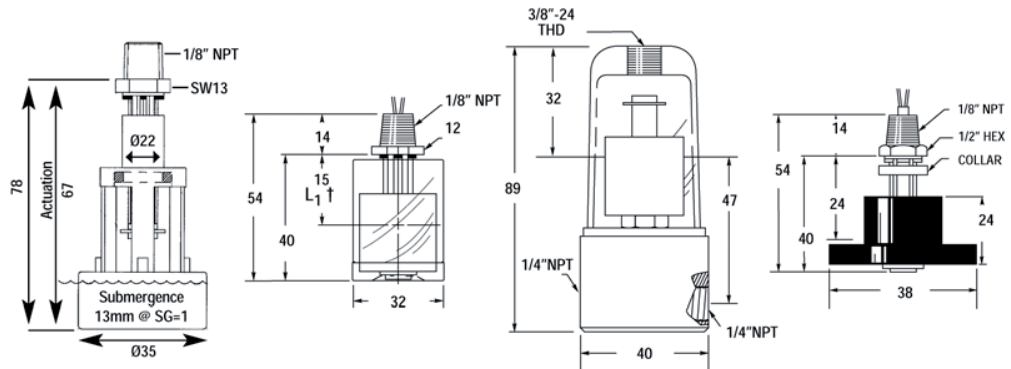
LS-3 Bottle Level

For external mounting on tanks too small to accommodate internally mounted switches. (See note below)



LS-3 Low Level

For detecting levels as low as 16mm from tank bottom. Use in water, gasoline, some oils and chemicals.



Specifications

	LS-3 Tripod	LS-3 Slush Shield	LS-3 Bottle Level	LS-3 Low Level
Materials				
Stem and Mounting	Polypropylene	Polypropylene ††	Polysulfone	Polysulfone
Float		Polypropylene	Polysulfone	Buna N
Other Wetted	—	—	Brass, Aluminium, Polycarbonate, Viton A	Epoxy
Min. Liquid Sp.Gr.	.90	.90	.75	—
Operating Temperature	-40°C to 82°C	-40°C to +65.6°C	-40°C to +48.9°C	-40°C to +82.2°C
Pressure, bar, Max. ***	10	10	3	3
Switch, SPST	20 VA Resistance, N.O., Dry	20 VA, N.C./N.O. Dry**	20 VA, N.C. Dry	20 VA, N.C. Dry
Material Compliance	FDA			
Electrical Termination	No. 22 AWG, 0.6m L., PVC Lead Wires	No. 22 AWG, 0.6m L., PVC Lead Wires	No. 22 AWG, 1.8m L., Polymeric Lead Wires	No. 22 AWG, 1.8m L., PVC Lead Wires
Mounting	1/8" NPT	1/8" NPT	3/8 UNF/1/4NPT	1/8" NPT
Protection Rating	IP64	IP64	IP64	IP64
Weight aprox.	100g	80g	170g	60g

** Switch operation is selectable, N.O. or N.C.. by inverting the float on the unit stem.

*** Maximum pressure at 70°F (30°C).

† L₁= Switch actuation level, nominal (based on a specific gravity of 1.0).

†† Consult factory for other available materials.

Note: LS-3 Series Bottle Level Switch is also available with any of the float materials shown on LS-3 page. Contact GEMS for correct part number.

Order data

	LS-3 Tripod	LS-3 Slush Shield	LS-3 Bottle Level	LS-3 Low Level
	166880	142545	46999	76707