

APPLICATION INFORMATION N° 204
OIL & GAS INDUSTRY



Trimod'Besta

BP Bruce, North Sea
340km NE of Aberdeen, Scotland

Off Shore Application

Bruce was discovered in June 1974 in acreage licensed to BHP in the 4th licensing round. Condensate, a light crude that exists as gas under reservoir conditions, was found 4000 metres below the seabed in a water depth of 121 metres. Further drilling was largely unsuccessful. However interest in the prospect was rekindled in early 1981 when BP discovered gas/condensate in an adjacent 5th round block in the centre, followed by a further discovery to the east by Total in 1984.

The transport system comprises a 6 km long, 32" diameter gas export pipeline that joins the 32" Total operated Frigg UK pipeline, taking gas to the St. Fergus Terminal. Further a 248 km long, 24" diameter oil export pipeline to the BP FPS unity platform and thence into the BP-operated Forties Pipeline System. The PUQ platform, (process / utilities / quarters) and D (drilling) platform are linked by a 47 metre bridge.



Source: www.oilrig-photos.com

Requirement for level switches

- Operating pressure p_o up to 111 bar, ANSI cl. 900
- Operating temperature T_o -82°C up to +220°C
- Intrinsically safe circuits, gold plated contacts
- Density down to 0.58 kg/dm³
- Interface application 0.78 / 1.04 kg/dm³

Why Trimod Besta?

The 3 modular design offers a large product range for very different applications. All types are available full made in stainless steel. Bachofen offers also tailor made float chambers to install the switches in a by pass configuration. All wetted parts are available with material certificates.

Installed level switch types

Totally 83 Trimod Besta units are installed.

Switch types:

5DBE28 131R 07	cl. 150, low density 0.5 kg/dm ³
5DBE28 131R 08T1	cl. 150, interface control
5DBE28 132R 07	cl. 300, low density 0.5 kg/dm ³
5DBE28 134RL 27	cl. 600, low density 0.5 kg/dm ³
5DBE28 134RL 28T1	cl. 600, interface control
5DBE28 135JS 032	cl. 900, low density 0.5 kg/dm ³
5TDB 131R 07	cl. 150, low temperature appl.
5TDB 141R 04G3	cl. 150, low temperature appl.

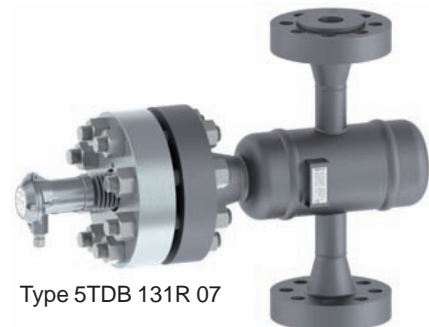
All switches are fully in stainless steel and IP67. They are mounted in carbon steel, low temperature carbon steel and stainless steel float chambers.



Type 5DBE28 131R 07



Type 5TDB 131R 07



Type 5TDB 131R 07

Source front: www.oilrig-photos.com