

MG 07

Dimensions

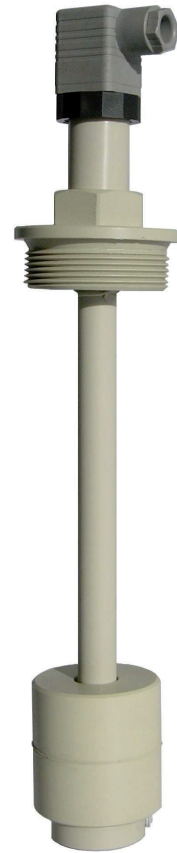
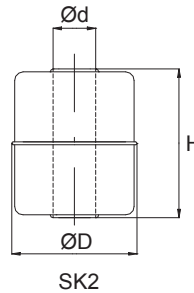
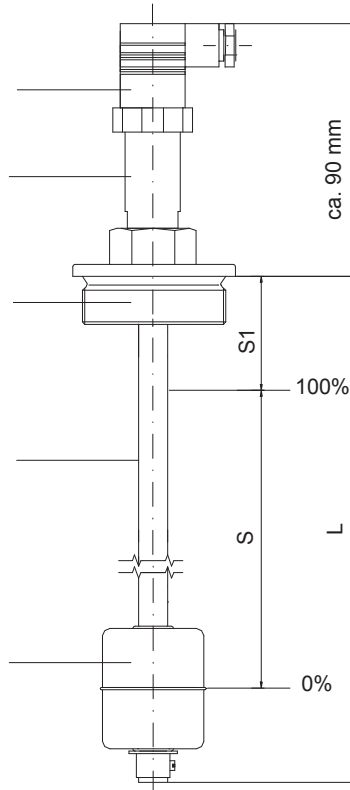
Electrical connection
Coupler plug
DIN 43650

Tube Ø 27 mm

Process connection
BSP2"

Tube Ø 16 mm

Cylindrical float



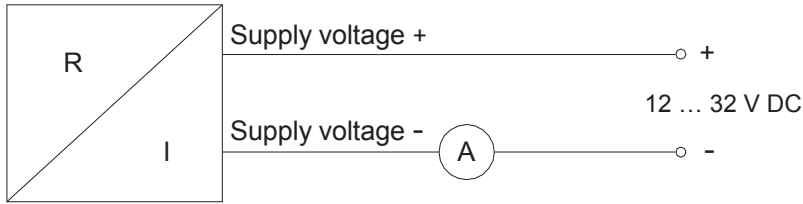
Float type	Dimensions			Max. operating pressure (MPa)	Max. operating temperature (°C)	Medium density kg/m ³	Material
	Ø D (mm)	Ø d (mm)	H (mm)				
SK2 Cylindrical float	55	18,5	55	0,3	80	≥ 500	PP

Technical data

Supply voltage	12 – 32 V DC	Accuracy	12 mm
Output	4 – 20mA or resistance signal proportional to level	Tube length L	Standard: up to 1500 mm, > 1500 mm on request
Max. pressure	0.3 MPa	Process connection	Standard: BSP2", other types on request
Temperature	-10°C to +80°C	Material	PP, other materials e.g. PVDF on request
Electrical connection	Coupler plug DIN 43650, other types on request		
Medium density	≥ 500 kg/m ³		

Edition: 10/2015. Technical specifications are for information only and may change without notice.

Electrical connection



	Pin assignment
Supply voltage +	1
Supply voltage -	2

Product overview / Order table

MG 07

Electrical connection

- A Coupler plug, DIN 43650
- X Other types on request

Process connections (installation: vertical, ± 30°)

- B Fixing screw thread BSP2", in PP
- X Other types on request

Tube length L (see dimensioned diagram)

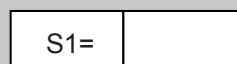
Tube in PP, Ø 16 mm
 Tube length from sealing face of process connection
 Tube length L ≤ 1500 mm; L > 1500 mm on request
 Dimensions in mm

Float types

- A SK2 (cylindrical float Ø 55 in PP)
- X Other types on request

Output

- Z With two-wire transducer, 4 - 20mA
- W Resistance signal



100 % marker S1 = distance from sealing face to centre of float

Order instruction: 100% marker S1 in mm

Edition: 10/2015. Technical specifications are for information only and may change without notice.