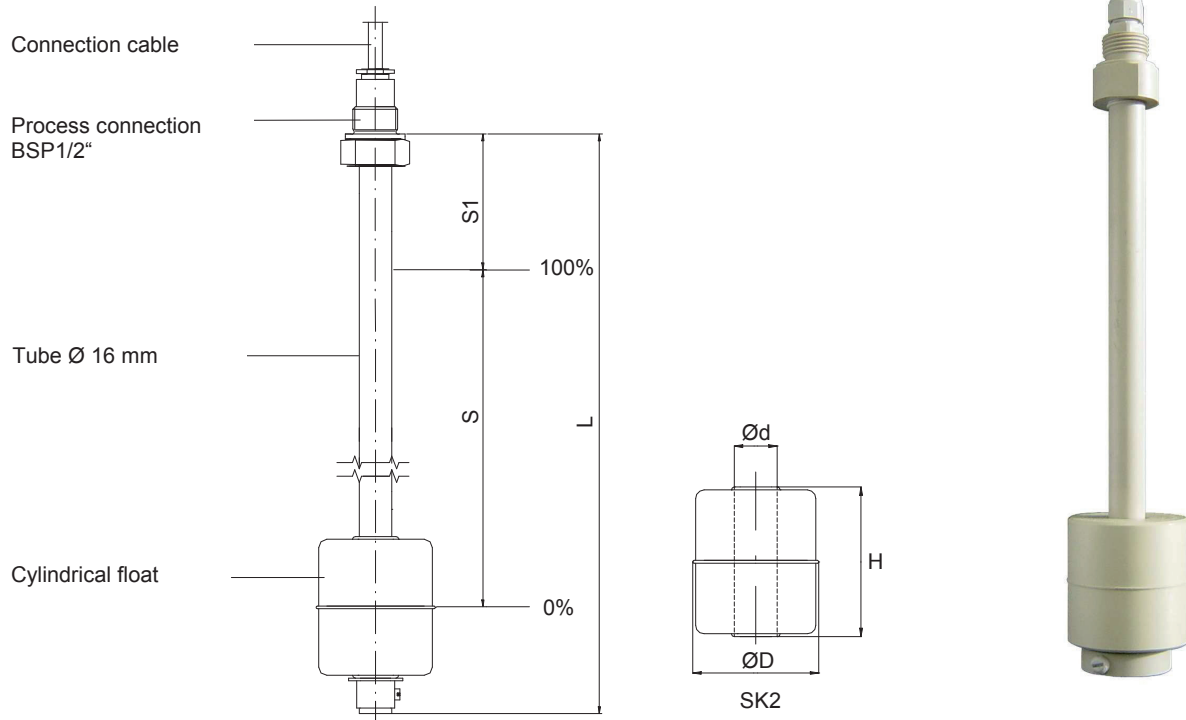


MG 06

Dimensions

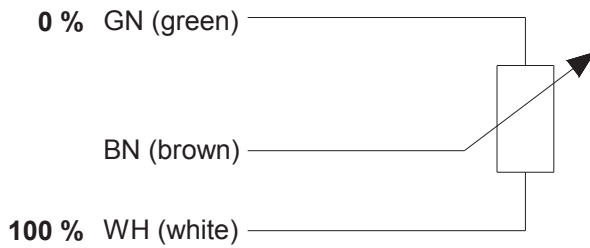


Float type typ	Dimensions			Max. operating pressure (MPa)	Max. operating temperature (°C)	Medium density kg/m ³	Material
	Ø D (mm)	Ø d (mm)	H (mm)				
SK2 Cylindrical float	55	18,5	55	0,3	80	≥ 500	PP

Technical data

Output	resistance signal proportional to level	Tube length L	Standard: up to 1500 mm > 1500 mm on request
Max. pressure	0.3 MPa	Process connection	Standard: BSP1/2", other types on request
Temperature	-10°C to +80°C	Material	PP, other materials e.g. PVDF on request
Cable connection	PVC		
Medium density	≥ 500 kg/m ³		
Protection	IP54		
Accuracy	12 mm		

Electrical connection



Product overview / Order table

MG 06

Process connections (installation: vertical, ± 30°)

- A Fixing screw thread BSP 1/2" in PP
- X Other types on request

Tube length L (see dimensioned diagram)

Tube in PP, Ø 16 mm
 Tube length from sealing face of process connection
 Tube length L ≤ 1500 mm; L > 1500 mm on request
 Dimensions in mm

Float types

- A SK2 (cylindrical float Ø 55 in PP)
- X Other types on request

Cable length

Dimensions in m

MG 06				
-------	--	--	--	--

S1=	
-----	--

100 % marker S1 = distance from sealing face to centre of float

Order instruction: 100% marker S1 in mm