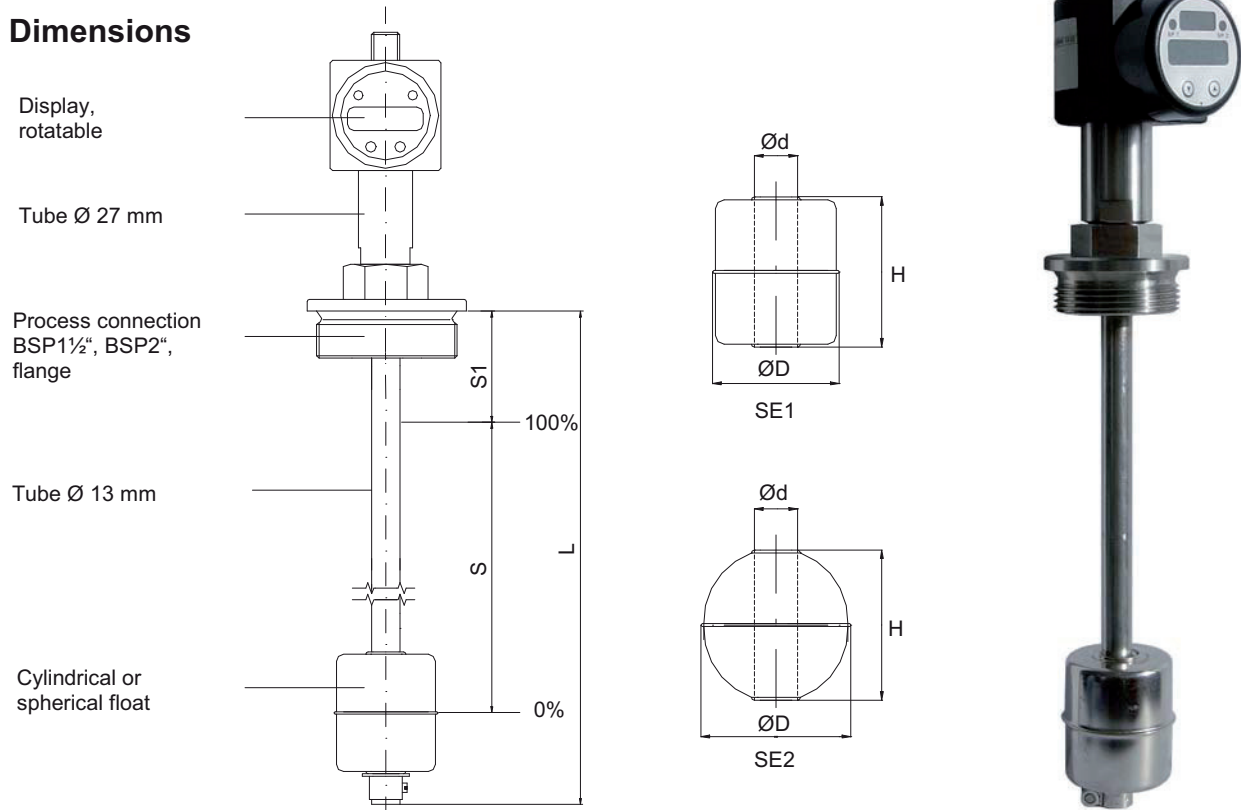


MG 04

Dimensions



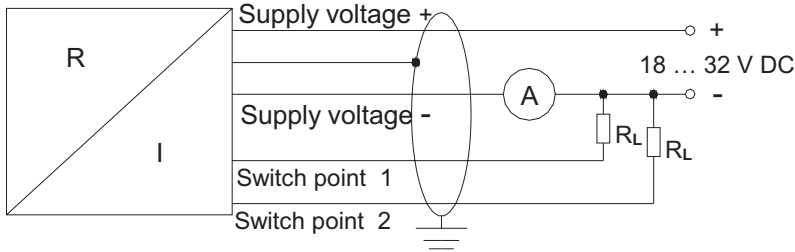
Float type	Dimensions			Max. operating pressure (MPa)	Max. operating temperature (°C)	Medium density kg/m ³	Material
	Ø D (mm)	Ø d (mm)	H (mm)				
SE1 Cylindrical float	44	15	52	1,6	80	≥ 750	1.4571
SE2 Spherical float	52	15	52	4,0	80	≥ 750	1.4571

Technical data

Supply voltage	18 – 32 V DC	Accuracy	12 mm
Output	4 – 20mA and 2 limit values	Tube length L	Standard: up to 6000 mm, > 6000 mm on request
Display	Module with plug M12, signal in percent or 4 – 20mA (selectable)	Process connection	Standard: BSP1½", BSP2", Flange DN50 PN16, other types on request
Max. pressure	4.0 MPa	Limit values	Position and switching function: selectable
Temperature	-30°C to +80°C, > 80°C on request		
Medium density	≥ 750 kg/m ³		

Edition: 10/2015. Technical specifications are for information only and may change without notice.

Electrical connection



	Pin assignment: Plug M12
Supply voltage +	1
Supply voltage -	3
Switch point 1	4
Switch point 2	5

Product overview / Order table

MG 04

Process connections (installation: vertical, ± 30°)

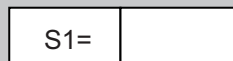
- A Fixing screw thread BSP1¹/₂", 1.4571
- B Fixing screw thread BSP2", 1.4571
- C Flange DIN 2527, Form B, DN 50 PN 16, 1.4571
- X Other types on request

Tube length L (see dimensioned diagram)

Tube in 1.4571
 Tube length from sealing face of process connection
 Tube length L ≤ 6000 mm; L > 6000 mm on request
 Dimensions in mm

Float types

- A SE1 (cylindrical float Ø 44 in 1.4571)
- B SE2 (spherical float Ø52 in 1.4571)
- X Other types on request



100 % marker S1 = distance from sealing face to centre of float

Order instruction: 100% marker S1 in mm