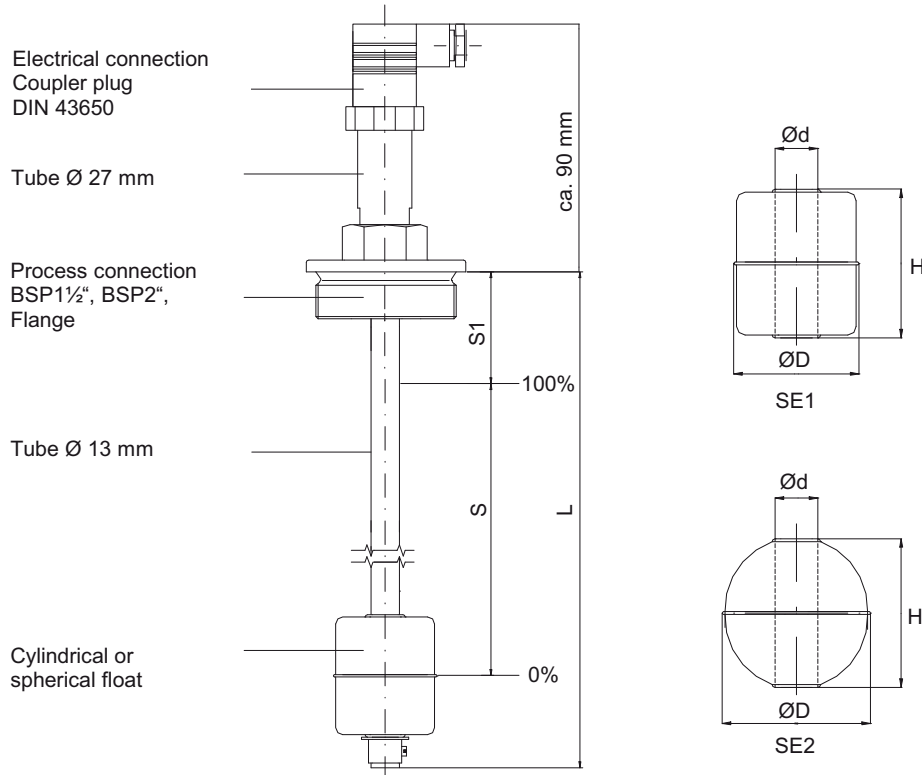


# MG 03

## Dimensions



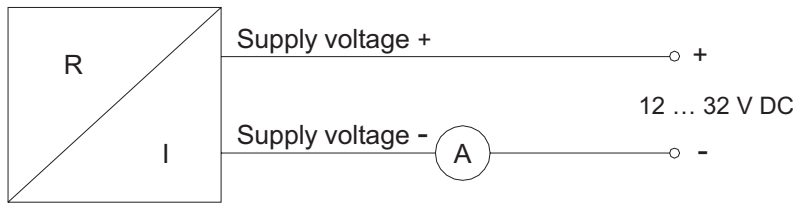
Float type	Dimensions			Max. operating pressure (MPa)	Max. operating temperature (°C)	Medium density kg/m <sup>3</sup>	Material
	Ø D (mm)	Ø d (mm)	H (mm)				
SE1 Cylindrical float	44	15	52	1,6	80	≥ 750	1.4571
SE2 Spherical float	52	15	52	4,0	80	≥ 750	1.4571

## Technical data

<b>Supply voltage</b>	12 – 32 V DC	<b>Medium density</b>	≥ 750 kg/m <sup>3</sup>
<b>Output</b>	4 – 20mA or resistance signal proportional to level	<b>Accuracy</b>	12 mm
<b>Temperature</b>	-30°C to +80°C, > 80°C on request	<b>Tube length L</b>	Standard: up to 6000 mm, > 6000 mm on request
<b>Electrical connection</b>	Coupler plug DIN 43650, other types on request	<b>Process connection</b>	Standard: BSP1½", BSP2", Flange DN50 PN16, other types on request
<b>Max. pressure</b>	4.0 MPa		

Edition: 10/2015. Technical specifications are for information only and may change without notice.

**Electrical connection**



	Pin assignment
Supply voltage +	1
Supply voltage -	2

**Product overview / Order table**

**MG 03**

**Electrical connection**

- A Coupler plug, DIN 43650
- X Other types on request

**Process connections** (installation: vertical, ± 30°)

- A Fixing screw thread BSP1 1/2", 1.4571
- B Fixing screw thread BSP2", 1.4571
- C Flange DIN 2527, Form B, DN 50 PN 16, 1.4571
- X Other types on request

**Tube length L** (see dimensioned diagram)

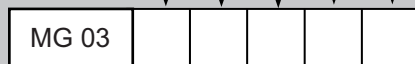
- Tube in 1.4571
- Tube length from sealing face of process connection
- Tube length L ≤ 6000 mm; L > 6000 mm on request
- Dimensions in mm

**Float types**

- A SE1 (cylindrical float Ø 44 in 1.4571)
- B SE2 (spherical float Ø52 in 1.4571)
- X Other types on request

**Output**

- Z With two-wire transducer, 4 - 20mA
- W Resistance signal



S1=

100 % marker S1 = distance from sealing face to centre of float

Order instruction: 100% marker S1 in mm