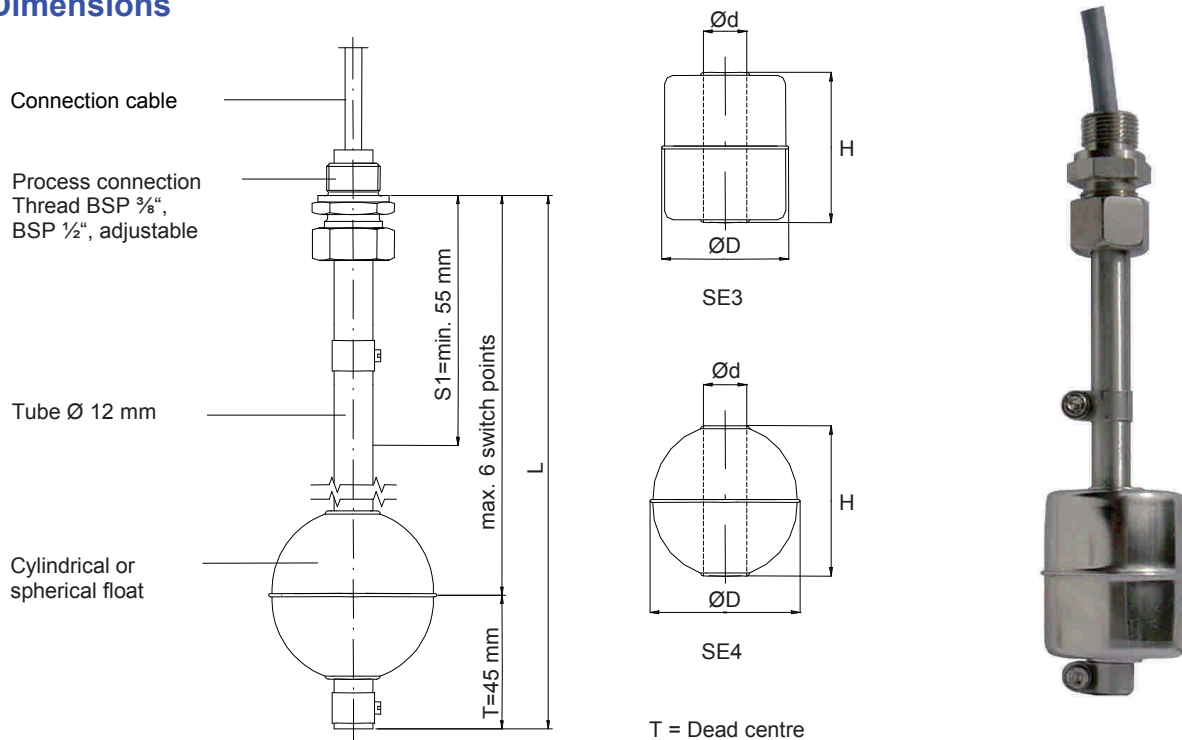


# SR 15

## Dimensions



T = Dead centre

Float type	Dimensions			Max. operating pressure (MPa)	Max. operating temperature (°C)	Medium density kg/m <sup>3</sup>	Material
	Ø D (mm)	Ø d (mm)	H (mm)				
SE3 Cylindrical float	44	15	52	1,6	180	≥ 750	1.4571
SE4 Spherical float	52	15	52	4,0	180	≥ 750	1.4571

## Technical data

<b>Max. Power</b>	<b>Opener / Closer:</b> 230 V AC; 100 VA; 1 A AC 230 V DC; 50 W; 0,5 A DC	<b>Installation position</b> vertical, ± 30° <b>Medium density</b> ≥ 750 kg/m <sup>3</sup> <b>Temperature</b> -30°C up to +150°C <b>Protection</b> IP 54 <b>Max. pressure</b> 4.0 MPa <b>Tube length L</b> Standard: up to 1500 mm, > 1500 mm on request
	<b>Change-over switch:</b> 230 V AC; 40 VA; 1 A AC 230 V DC; 20 W; 0,5 A DC	
<b>Switch function</b>	Opener / closer / change-over switch with a rising liquid level	<b>Process connection</b> Standard: Thread BSP 3/8", BSP 1/2", other types on request

**Product overview / Order table**

**SR 15**

**Process connections** (installation: vertical, ± 30°)

- A Fixing screw thread BSP 3/8", 1.4571
- B Fixing screw thread BSP 1/2", 1.4571
- X Other types on request

**Tube length L** (see dimensioned diagram), Tube in 1.4571  
 Tube length from sealing face of process connection  
 Tube length L ≤ 1500 mm; L > 1500 mm on request  
 Dimensions in mm

**Float types**

- Z SE3 (cylindrical float Ø44 in 1.4571)
- K SE4 (spherical float Ø52 in 1.4571)
- X Other types on request

**Temperature range**

- N -30°C up to +80°C
- H -30°C up to +150°C

**Switch point number**  
(see dimensioned diagram)

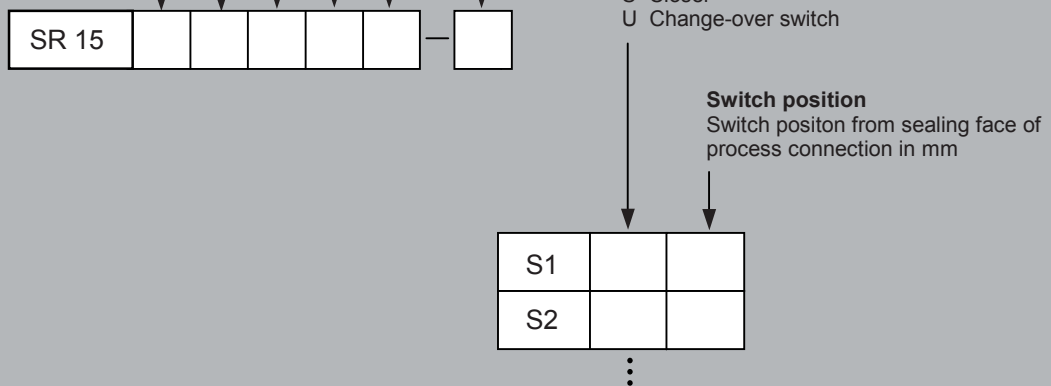
**Cable length**  
Dimensions in m

**Switch function** ( with a rising liquid level )

- O Opener
- S Closer
- U Change-over switch

**Switch position**

Switch position from sealing face of process connection in mm



**Attention:** Designs without earthing connection – use low voltage only or external protective earth.