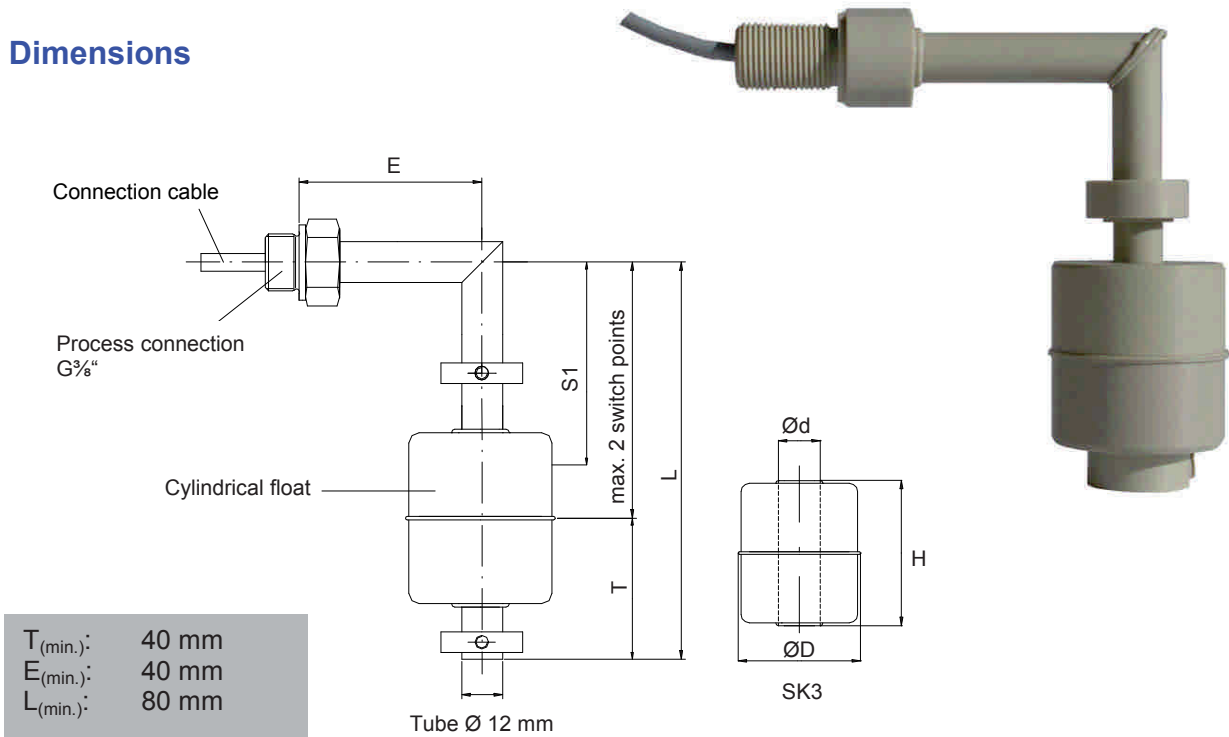


# SR 33

## Dimensions



T<sub>(min.)</sub>: 40 mm  
E<sub>(min.)</sub>: 40 mm  
L<sub>(min.)</sub>: 80 mm

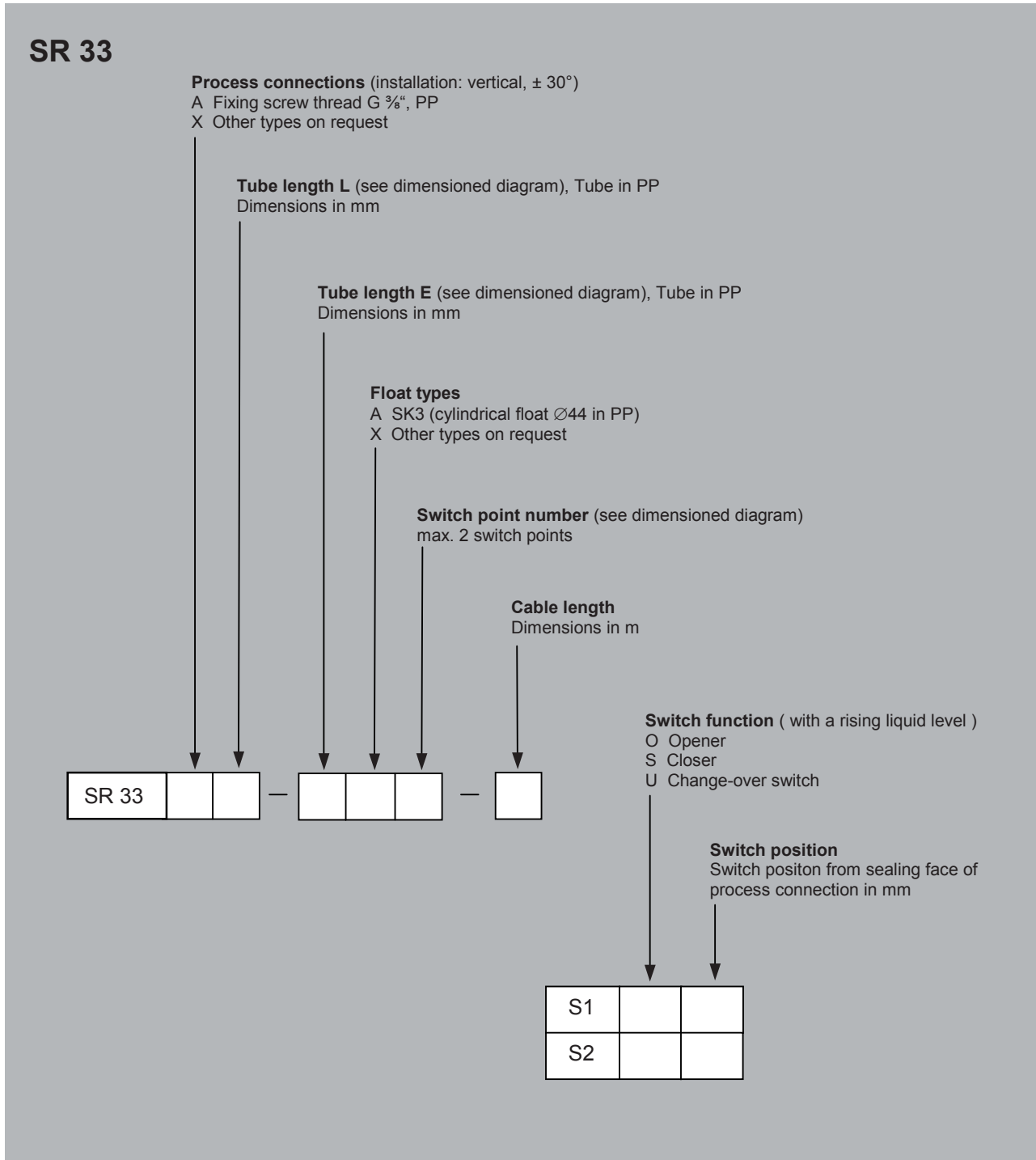
Tube Ø 12 mm

Float type	Dimensions			Max. operating pressure (MPa)	Max. operating temperature (°C)	Medium density kg/m <sup>3</sup>	Material
	Ø D (mm)	Ø d (mm)	H (mm)				
SK3 Cylindrical float	44	14	45	0.3	80	≥ 600	PP

## Technical data

<b>Max. Power</b>	<b>Opener / Closer:</b>	<b>Installation position</b>	float vertical, ± 30°
	230 V AC; 100 VA; 1 A AC 230 V DC; 50 W; 0,5 A DC		<b>Protection</b>
<b>Switch function</b>	<b>Change-over switch:</b>	<b>Max. pressure</b>	0,3 MPa
	230 V AC; 40 VA; 1 A AC 230 V DC; 20 W; 0,5 A DC	<b>Switch point number</b>	max. 2 switch points
<b>Medium density</b>	≥ 600 kg/m <sup>3</sup>	<b>Process connection</b>	Standard: G 3/8", other types on request
<b>Temperature</b>	-10°C to +80°C	<b>Material</b>	PP, other materials e.g. PVC, PVDF etc. on request

**Product overview / Order table**



**Attention:** Designs without earthing connection – use low voltage only or external protective earth.

Edition: 10/2015. Technical specifications are for information only and may change without notice.