

Float switch with protective casing

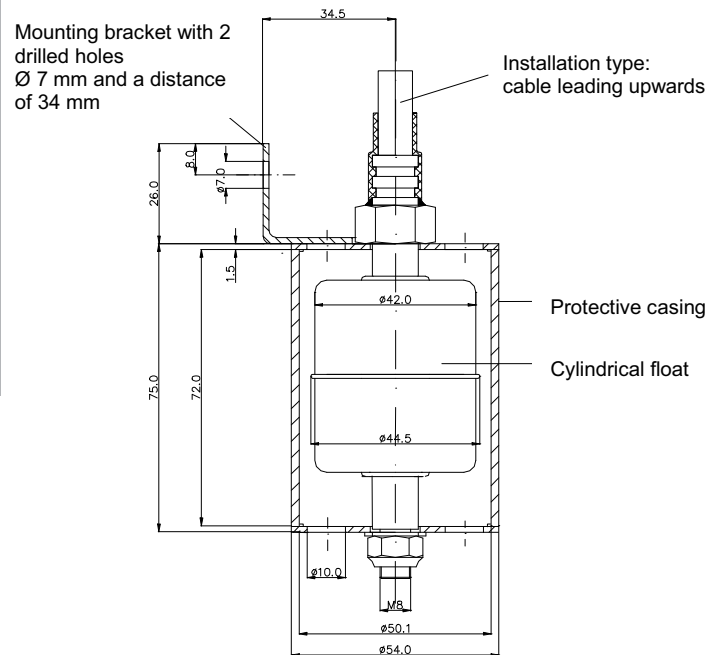
SR 6

Characteristics

- ▶ Practical and inexpensive solution
- ▶ High reliability
- ▶ Long service life
- ▶ With protective casing:
 - ▶ reducing the turbulence of the medium
 - ▶ functionality is guaranteed even when foreign bodies are present in the waste water
- ▶ Optionally equipped with a test device
- ▶ Installation type: cable leading upwards or downwards
- ▶ With mounting bracket
- ▶ Switch function: Closer, opener or change-over switch
- ▶ Protection: IP 68 (8 m)
- ▶ **Authorisation:** Germanischer Lloyd



Dimensions

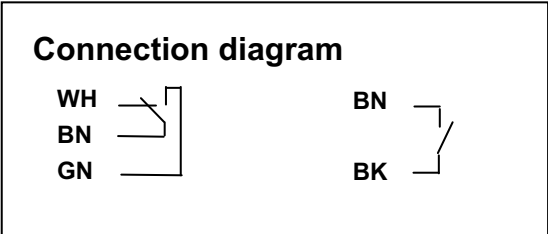


Areas of application

- ▶ The bilge float switches are designed for general usage on ships and for industrial purposes. These bilge switches are primarily intended for extremely high mechanical load and especially dirty liquids such as found in e.g.:
 - Bilge wells
 - Tanks for hydraulic and diesel oil
 - Fresh water tanks
 - Plant construction, etc.

Technical data			
Max. pressure	1.6 MPa	Switch pipe	Pipe Ø12 mm in 1.4571
Temperature	-40°C up to +80°C	Mounting bracket	Stainless steel 1.4571
Medium density	≥ 750 kg/m ³	Protective casing	Length: 80 mm, in 1.4571
Switch point position	approx. in the middle of the switch pipe	Float	Cylindrical float Ø 44,5 mm in stainless steel 1.4571

Electrical data			
Max. Power	Opener / Closer:	Switch function	Opener / closer / change-over switch with a rising liquid level
	230V AC; 100 VA; 1A AC 230V DC; 50 W; 0,5 A DC		
	Change-over switch:	Electrical connection	Cable Standard: cable length: 2 m, 2x1,5 mm ² , 3x1,5 mm ²
	230V AC; 40 VA; 1A AC 230V DC; 20 W; 0,5 A DC		
Protection Type			
acc. to DIN 40050 IP 68 (8 m)			



Product overview / Order table

SR 6

Switch function (with a rising liquid level)
 O Opener
 S Closer
 U Change-over switch

Installation type
 1 cable leading upwards
 2 cable leading downwards

Test device
 A with test device
 B without test device

SR 6

Example: SR6 U 1 A:
 Switch function: change-over switch, Installation type: cable leading upwards, with test device

Edition: 10/2015. Technical specifications are for information only and may change without notice.