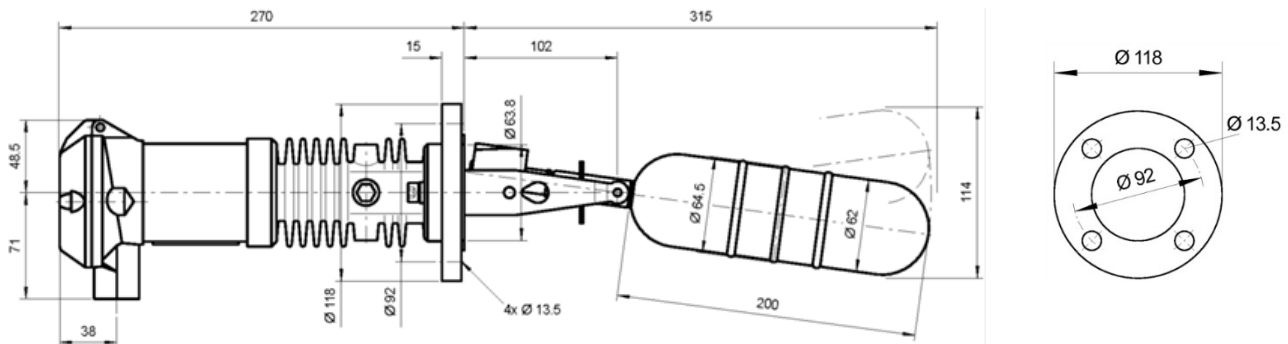


## Level control solutions for LNG/LPG cargo ships



### Features of Trimod Besta Level Switches

- Designed for low temperature applications down to  $-196^{\circ}\text{C}$
- Suitable for densities as low as  $0.32\text{ kg/dm}^3$
- Safety integrity level: SIL1 and SIL2 (SIL3 capable)
- Ship register: ABS, BV, DNV-GL, LRS, RINA, RMRS, Class NK
- ATEX, IECEx, EAC Ex (Russia), ISO 9001
- Extremely robust and outstanding lifespan



ClassNK



## Minimum density and temperature range

	Level Switch type	Ex <sup>a)</sup>	min. density kg/dm <sup>3</sup>	temperature range ambient °C	operating °C
1	ZTDK8E28 011Z 76	ed	0.40	-45 to +80	-196 to +270
	TDB8E28 011Z 76	ia	0.40	-40 to +80	-196 to +270
2	ZTDK8E28 01 07	ed	0.50	-45 to +80	-196 to +270
	TDB8E28 01 07	ia	0.50	-40 to +80	-196 to +270
3	ZK8E28 011ZE217 76	ed	0.32	-45 to +80	-30 to +145
	DB8E28 011ZE217 76	ia	0.32	-40 to +120	-40 to +200
4	ZK8E28 01E217 07	ed	0.44	-45 to +80	-30 to +145
	DB8E28 01E217 07	ia	0.44	-40 to +120	-40 to +200

<sup>a)</sup> ed: Ex ed IIC T6...T5 Ga/Gb | ia: Ex ia IIC T6 Ga/Gb

Liquid gas	Evaporation temp. at atm. pressure	Density in kg/dm <sup>3</sup>
N-butane	-0.5°C	0.601
Butadiene 1.3	-5.0°C	0.615
Iso-butane	-10.0°C	0.594
VCM Vinyl chloride	-15.0°C	0.911
DME Dimethyl ether	-24.0°C	0.735
Ammonia	-33.6°C	0.682
Propane	-43.8°C	0.581
Propylene	-47.3°C	0.614
Ethane	-88.9°C	0.544
Ethylene	-104.0°C	0.568
Methane	-163.0°C	0.422
	-196.0°C	

# Trimod<sup>B</sup>Besta

Level measurement A brand of Bachofen AG  
www.trimodbesta.com

Bachofen AG  
Ackerstrasse 42  
8610 Uster  
Switzerland

Phone: +41 44 944 11 11  
Fax: +41 44 944 11 11  
info@trimodbesta.com  
www.trimodbesta.com

Authorized Distributor