

The optoelectronic Senlux Besta level switches are used for the level control of liquids. They may be installed either vertically or horizontally.

Base model OPG03

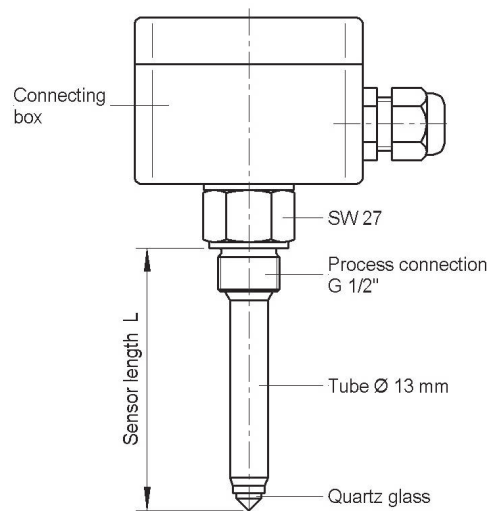
Product overview shown below

Technical Data

Operating pressure	max. 25 bar
Ambient temperature	-30 to 70°C
Liquid temperature	-30 to 100°C; temporarily up to max. +150°C
Accuracy	± 0.5 mm
Mounting direction	any
Min. distance sensor tip to any reflecting surface	> 10 mm
Prism material	quartz glass
Process connections	BSPP 1/2", 1.4571, other types on request
Sensor tube	Ø 13 mm, 1.4571
Sensor length L	min. 65 mm max. 3000 mm

Electrical Data

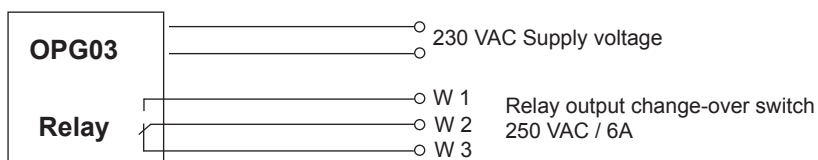
Supply voltage	230 VAC
Switch points	1
Output	250 VAC / 6A
Life cycles	>10 ⁷
Function	change-over switch
Protection rating	IP65
Connection box	Aluminium 75 x 80 x 57 mm, other types on request



Operating Principle

The optoelectronic sensor contains an infrared LED and a light receiver. Light from the LED is directed into a prism which forms the tip of the sensor. With no liquid present, light from the LED is reflected within the prism to the receiver. When rising liquid immerses the prism, the light is refracted by the liquid, leaving little or no light reaching the receiver. Sensing this change, the receiver initiates a switching process.

Connection diagram



Product overview / order table

OPG03

Process connection

- A Connection thread BSPP1/2"
- X other types on request

Connection box

- B Aluminium case 75 x 80 x 57 mm, IP65
- X other types on request

Sensitivity

- A Sensitivity not adjustable (**please specify the medium**)
- T Sensitivity adjustable (with potentiometer)

Sensor length L

Dimensions in mm (length from sealing face of process connection,
L min. = 65 mm, L max. = 3000 mm)

OPG03				
-------	--	--	--	--

Example: Process connection BSPP1/2", aluminium case, sensitivity not adjustable, length 500 mm: OPG03-ABA0500

Characteristics

- No moving parts
- Excellent price / performance ratio
- Easy to install
- Mounting direction: any
- High reliability
- Long service life
- Measuring accuracy ± 0.5 mm
- Electrical connection box
- Relay output 250 VAC / 6A
- Change-over switch
- Adjustable sensitivity for any application (e.g. foam detection)
- Sensor length selectable from min. 65 mm to max. 3000 mm

Areas of application

- Plant construction
- Machine tools
- Chemical and Pharmaceutical
- Hydraulics
- Machine construction
- Water treatment, etc.