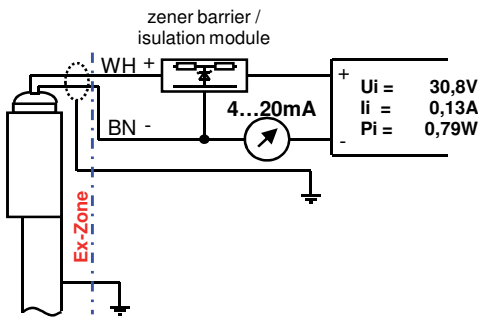


**External electrical connections**



**Description**

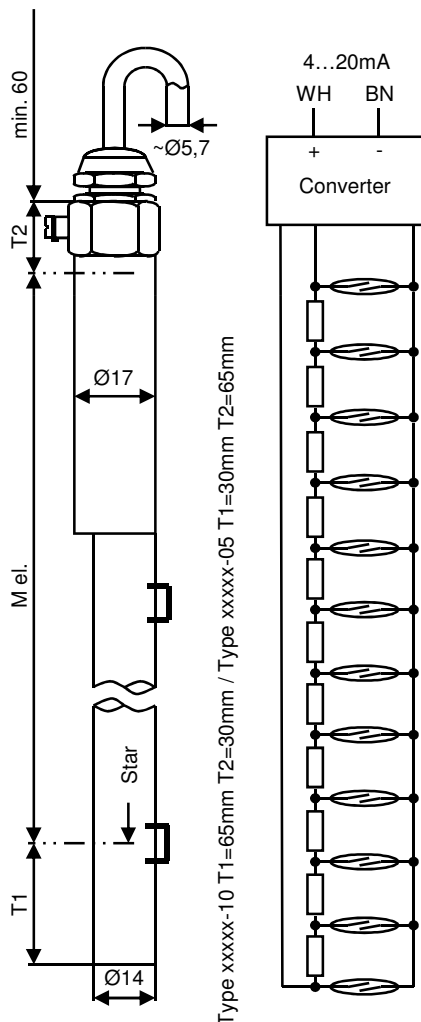
**Intrinsically safe transmitter, 4...20mA current output with ATEX certificate for use with WEKA Visual Level Indicators media temperature ≤ 150°C**

The transmitter is mounted outside of the float chamber opposite to the indication rail (see datasheet 20010501). The magnet inside the float activates the reed switches in the transmitter, depending on the level of liquid in the float chamber, thereby changing the effective value of a resistance network. The resulting voltage output is converted by an internal electronic circuit to a 4...20mA signal. If the liquid level rises above the measuring range of the transmitter (30 mm) the output signal jumps to 115% (ca. 22,5mA) and remains on that limit.

This transmitter is compatible with Zones 1 and 2, gas groups IIA, IIB, and IIC, and temperature classes T1 to T4. The transmitter must be connected with a certified energy limiting device (e.g. Zener barrier) installed in a safe area. This device guarantees the electrical limit values specified below, including the cable. The metal housing of the transmitter must be connected to protection ground.

**Dimensions**

**Internal circuit**



**Product code:**

**32607-NI-10**      **10mm resolution**  
**32607-NI-05**      **5mm resolution**  
**M el. = Measuring length in mm**

**Resolution**

**32607-NI-10**      **32607-NI-05**  
10mm                      5mm

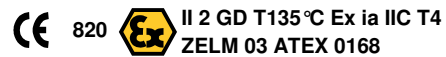
**Transmitter tube dia.**

Ø 14 / 10                      Ø 17 / 14

**Measuring length "M el."**

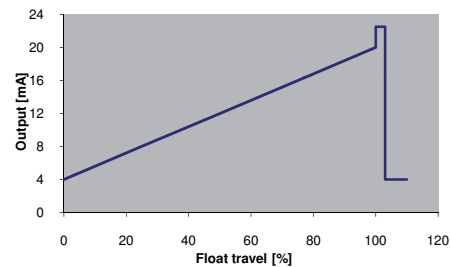
min. 200mm ... max. 4000mm

**Certificate**



**Signal output**

4...20mA current loop



**Electrical limit values**

Ui = max. 30,8V  
li = max. 130mA  
Pi = max.  
Ci = max. 48nF  
Li ~ 0mH

**Operating temperature**

Media temperature                      -50°C ... +150°C (for T<sub>M</sub>>135°C, T3 applies)  
Ambient temperature (Ta)              -20°C ... +50°C  
Surface temperature                      T4 (max. 135°C)

**Enclosure**

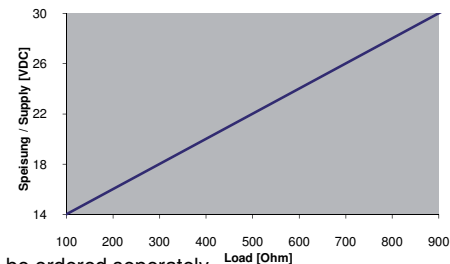
**Materials**

Housing tube                              Stainless steel 316 / 316L  
Cable gland                                PA: blue  
- Seal                                        Perbunan (NBR)  
Cable (Standard 5m)                      PVC: blue, 2 x 0.75mm<sup>2</sup>, Ø ~5,7mm, shielded, largely resistant to oils/petroleum products  
Polyester: silver, black printing

**Type label**

**Output load (including energy limiting device and cables)**

max. 100Ohm at 14VDC  
max. 900Ohm at 30VDC



**Fixation**

When ordering level indicators with transmitters, hose clamps are included.

When ordering transmitters as spare parts, hose clamps are never included and must be ordered separately.

In case of ordering hose clamps pipe size must be indicated:

For pipe diameter	30...40mm	Part no.	80648
For pipe diameter	40...57mm and 57...80mm	Part no.	84043