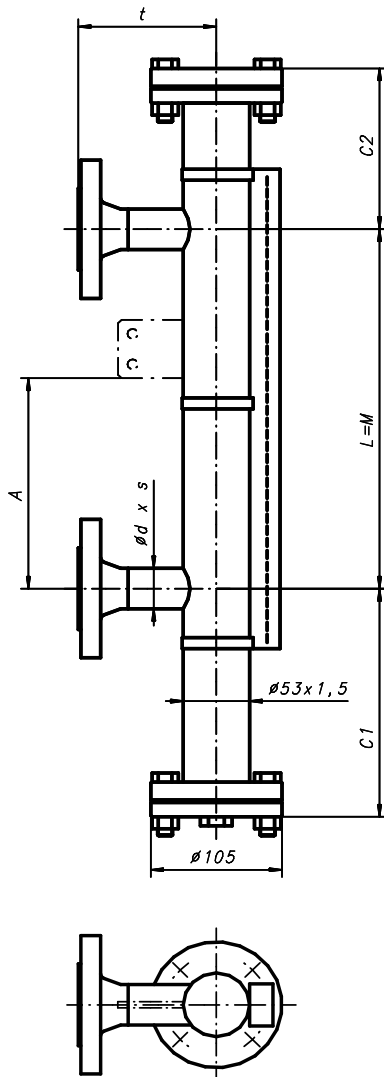


Design meets the requirements of PED 97/23/EC and harmonized standards



Float extension lower / upper:

| | C1: | C2: |
|----------|-----|-----|
| Standard | 190 | 135 |

C1 & C2 shorter or longer, if out of standard range or with damping springs

Standard flange connections:

| | EN | ANSI/ISO |
|-------------------------|--------------------|----------|
| Connection pieces, d*s: | | |
| DN15: | 21.3*2.0 | 21.3*2.0 |
| DN20: | 26.9*2.0 | 26.9*2.0 |
| DN25: | 33.7*2.0 | 33.7*2.0 |
| ≥ DN32 *2): | 33.7*2.0 | 33.7*2.0 |
| Dimension t: | | |
| DN15: | 110 | 119 |
| DN20: | 110 | 122 |
| DN25: | 110 | 125 |
| ≥ DN32 *2): | tba on request 3): | |

Purchase Order Data:

| | |
|---------------------|----------|
| Company: | Project: |
| Purchase order no.: | |
| Quantity: | Tag no.: |

Operating Conditions

| | | |
|--------------------------|--------------------------------|---------|
| Fluid: | | |
| Density: | ≥ 0.55g/cm3 | g/cm3: |
| Viscosity: | ≤ 600cSt | cSt: |
| Operating pressure: | max. 28bar(g) @ 20°C *1) | bar(g): |
| Design pressure: | " | bar(g): |
| Operating temperature: | -100°C ... +400°C *1) | °C: |
| Design temperature: | " | °C: |
| Connecting Distance "L": | max. 5600mm (one-piece design) | mm: |

Design and Materials:

| | | | |
|----------------|-----------------|------------------|---------------------|
| Float chamber: | 316&316L | Screws and nuts: | A2-70, ISO 3506 |
| Float: | 316L (Standard) | type no.: | 36223/20 / 38662/20 |
| | Ti alloy | type no.: | 37943-2 / -3 / -4 |
| | | type no.: | |

other materials and densities see float selection diagram or on request

| | | | |
|---------------------------------------|---|----------|--------------------------|
| Damping spring top and bottom, 1.4401 | No.: | 27399 | <input type="checkbox"/> |
| Gaskets: | Fibre compound Aramid/NBR (<150°C) | Standard | <input type="checkbox"/> |
| | PTFE, non reinforced, raked (<250°C) | | <input type="checkbox"/> |
| | Graphite incl. reinforcing net in SS 316 (<400°C) | | <input type="checkbox"/> |

Process connections:

EN-Connecting Flanges acc. EN1092-1 (Standard):

| | | |
|--|-------|--------------------------|
| - EN1092-1/11 B1/DNxx/PN40/316L | DN15: | <input type="checkbox"/> |
| - wn-flange, RF, Rz=12,5 ... 50µm, turning | DN20: | <input type="checkbox"/> |
| | DN25: | <input type="checkbox"/> |

ANSI/class150 (= ISO/PN20) - connecting flanges:

| | | |
|---|----------------------------|--------------------------|
| - ANSI/ASME B16.5 / ISO-DIS7005-1.2, type 11/B1 | ANSI 1/2" resp. ISO DN15 : | <input type="checkbox"/> |
| - wn-flanges, RF SF, Rz=12,5 ... 50µm, turning | ANSI 3/4" resp. ISO DN20 : | <input type="checkbox"/> |
| | ANSI 1" resp. ISO DN25 : | <input type="checkbox"/> |

Other Connections

| |
|--|
| |
|--|

Drain connection thread (Standard) (for vent see price list):

| | |
|---|--------------------------|
| G3/8" (ISO7-1/ISO228-1) with plug R3/8" (ISO7-1) and PTFE tape (<=250°C) | <input type="checkbox"/> |
| G3/8" (ISO7-1/ISO228-1) with plug G3/8" (ISO228-1) and Ni gasket (>250°C) | <input type="checkbox"/> |

Indication Rail:

| | | | | | |
|------------------------------|---------------------|------|-------|----------|--------------------------|
| PC, IP65 (<150°C) | Flaps: red-silver | No.: | 34837 | Standard | <input type="checkbox"/> |
| PC, IP68, inert gas (<150°C) | Flaps: red-silver | No.: | 41008 | | <input type="checkbox"/> |
| Al/PC, IP54 (<250°C) | Flaps: red-silver | No.: | 34560 | | <input type="checkbox"/> |
| Al/glass, IP54 (<400°C) | Flaps: black-silver | No.: | 37100 | | <input type="checkbox"/> |
| Special | Flaps: | No.: | | | <input type="checkbox"/> |

Accessories (installation instructions see spec. no. 20010501)

| | | |
|--|---------------------|-------|
| Fixation bracket no. 26936: | dimension "A" [mm]: | |
| Magnetic switch: | quantity: | type: |
| Transmitter: resolution [mm]: | 5 / 10 | type: |
| measuring length M _{el} [mm]: | | |
| Converter: | type: | |
| Further accessories: | | |

Test reports and certificates:

| | |
|---|--------------------------|
| EN10204:2004-3.1 certificate for used materials of the float chamber: | <input type="checkbox"/> |
|---|--------------------------|

Special executions and notes:

| |
|--|
| |
|--|

Notes:

- *1) Refer to pressure-temperature rating! Lowest pressure-temperature rating of any connecting flange or fitting will set the limitation! Test pressure will be specified according to WEKA specification AW 2.1.2.
 - *2) With special reduction flanges.
 - *3) Depending on size of connecting flanges.
- All indicated dimensions in mm. All dimensions are only valid on VLI in standard execution.