

**Filling level measurement with liquids and powdery or fine-granular bulk material in plastic PVC or PVDF**

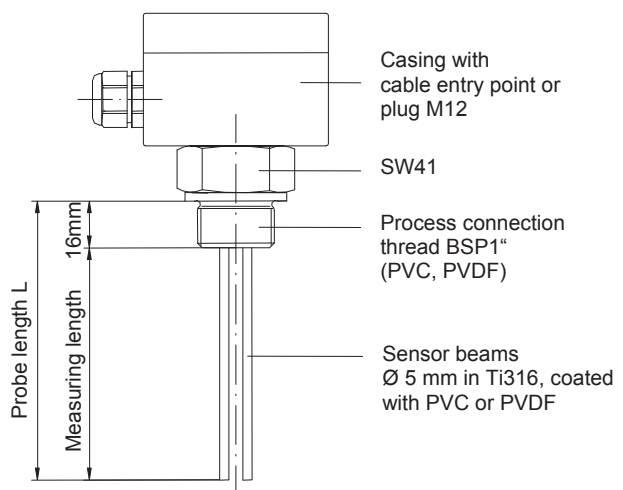
**CPA 03**



**Characteristics**

- ▶ Analogous output 4-20mA proportional to filling level
- ▶ Max. measurement range: 2000 mm
- ▶ Simple calibration at keypress
- ▶ Suitable for aggressive medium
- ▶ Sensor beams coated with PVC, PVDF-hose
- ▶ Optional other material
- ▶ Electrical connection: cable entry point, plug M12
- ▶ Measuring accuracy: 1,5% of measurement range
- ▶ Pressure max. 4bar
- ▶ Installation vertical

**Dimensions**



**Characteristics:**

- ▶ For liquids with middle or upper dielectricity and powdery or fine-granular bulk material
- ▶ For aggressive medium such as acids and bases
- ▶ Suitable for metal and plastic container

**Scope of Application:**

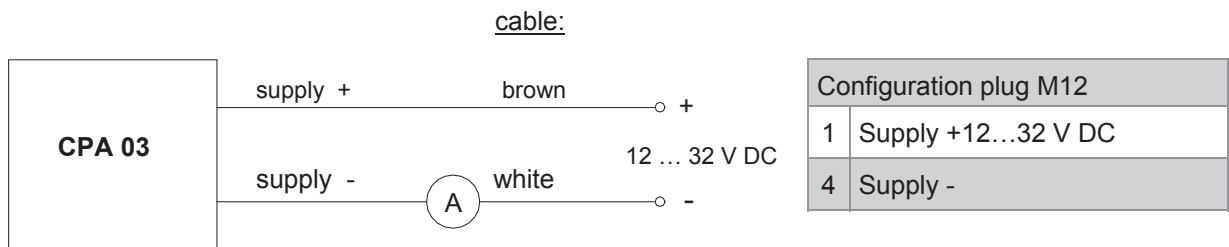
Chemical and pharmaceuticals, process and manufacturing technology, environmental technology, water and waste water engineering, plant and mechanical engineering etc.

Edition: 10/2025. Technical specifications are for information only and may change without notice.

## Description

The sensor with 2 sensing probes are building an electrical condenser when being immersed into the liquid. The capacity of the condenser changes with its filling level. An electronic system integrated into the device converts the capacity change into an electrical standard signal 4-20mA proportionally to the filling level. Calibration 0% and 100% is made at keypress (TEACH IN). The CPA 01 will be programmed by the factory if required by the customer (0% and 100% marker can be set if required by the customer).

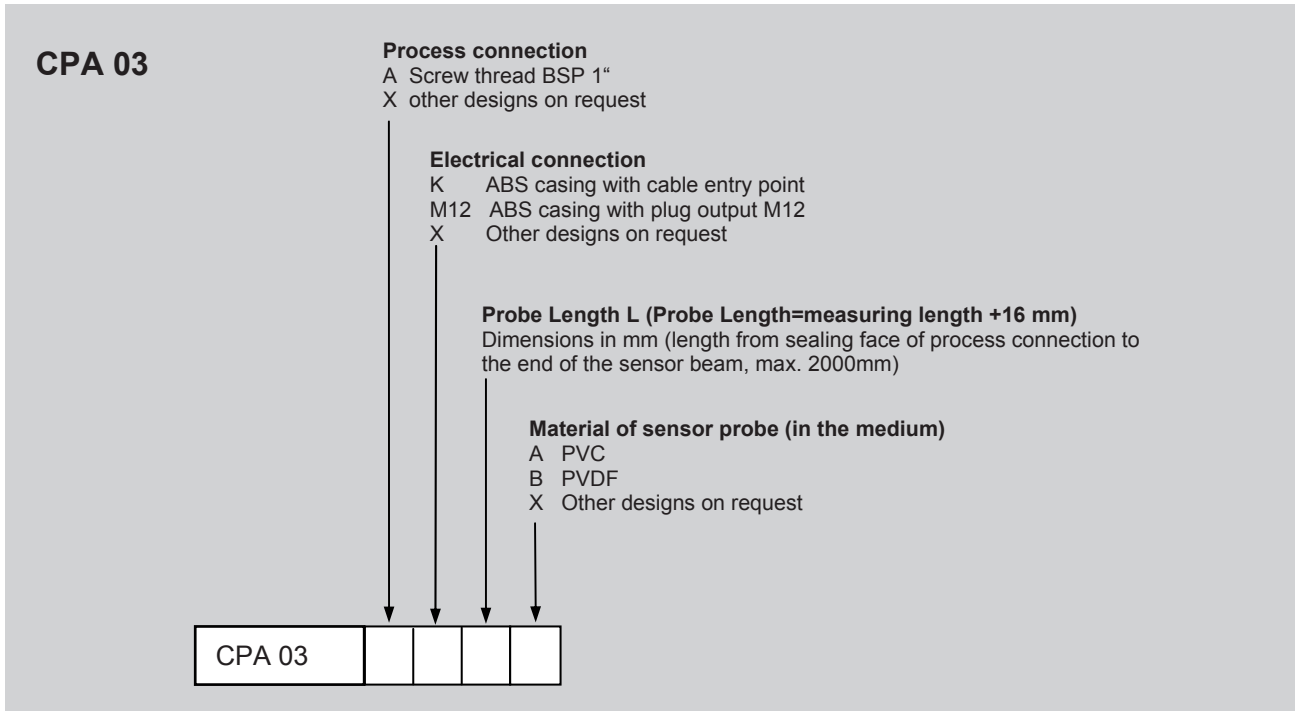
## Electrical connection



## Technical data

<b>Operating voltage</b>	12 – 32V DC	<b>Process connection</b>	BSP 1" in PVC or PVDF
<b>Output</b>	4-20mA (2-wire)	<b>Electrical connection</b>	cable entry point or plug M12
<b>Measuring accuracy</b>	1,5 % of measuring range	<b>Probe length L</b>	max. 2000 mm
<b>Protection class</b>	IP66	<b>Casin</b>	Plastic ABS 80x82x55mm
<b>Environmental temp.</b>	-30°C to +70°C	<b>Sensor beam</b>	2 sensor beams Ø 5 mm coated with elastomer-hose
<b>Medium temperature</b>	-30°C to +100°C		
<b>Pressure</b>	max. 4 bar		

**Type key, order scheme**



**Accessory: Circular connector M12**

Type		Item number	Design
Coupling M12 with	2 m PVC cable	K12PVC 2	
	5 m PVC cable	K12PVC 5	
	2 m PUR cable	K12PUR 2	
	5 m PUR cable	K12PUR 5	
Angle coupling M12 with	2 m PVC cable	W12PVC 2	
	5 m PVC cable	W12PVC 5	
	2 m PUR cable	W12PUR 2	
	5 m PUR cable	W12PUR 5	

Colour identification	
1	brown
4	black

Edition: 10/2025. Technical specifications are for information only and may change without notice.